

Customer Care Solutions

NHL-4J Series Transceivers

Service tools

[This page left intentionally blank]

Table of Contents

	Page No
MJF-13 Docking Adapter	4
MJS-38 Module Test Jig	5
MJS-90 Soldering Jig	6
SRT-10 Camera Removal Tool.....	7
SES-3 Rework Stencil 0770558	8
FPS-8 Flash Prommer (Sales Pack)	9
FPS-8C Parallel Flash Prommer (Sales Pack)	10
ACF-8 Universal Power Supply	11
FLA-27 POS (Point Of Sale) Flash Loading Adapter	12
FLC-2 DC Cable	13
AXS-4 Service Cable	14
XCS-1 Service Cable	15
SW Security Device PKD-1	16
FLS-4S POS (Point Of Sale) Flash Device (Sales Pack)	17
PCS-1 Power Cable	18
XRF-1 RF Cable	19
DAU-9S MBUS Cable	20
CA-5S DC Cable	21
XCS-4 Modular Cable	22
Printer Cable	23

MJF-13 Docking Adapter

The MJF-13 Docking Station has been designed for calibration and software update use. The Docking Station Adapter makes signal connections to the phone.

MJF-13 main electric functions include:

- adjustable VBATT calibration voltage, current measurement limit voltage "VCHAR", current measurement calibration current "ICHAR"
- adjustable ADC calibration voltage via BTEMP and BSI signal
- BTEMP and BSI calibration resistor
- signals from FBUS to the phone via parallel jig
- control via FBUS or USB
- Flash OK/FAIL indication

In calibration mode MJF-13 is powered by external power supply 11-16V DC. In flashing power for the phone can be taken from FPS-8 or external power supply 11-16V DC.

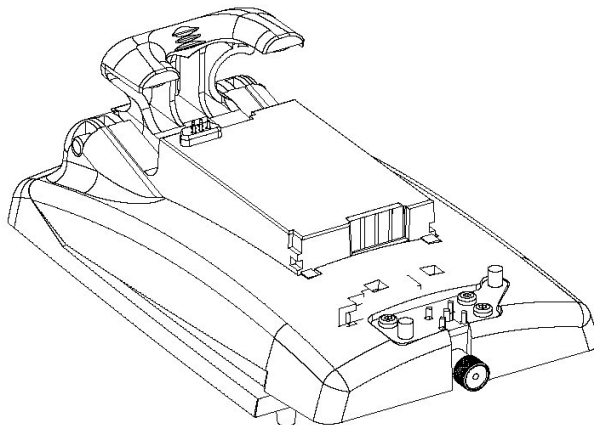
MJF-13 main electric functions are:

- phone recognizing from BTEMP
- filters of FBUS signals
- SIM CARD reader

Product Code

MJF-13 Docking Station Adapter: 0770429

View of MJF-13



MJS-38 Module Test Jig

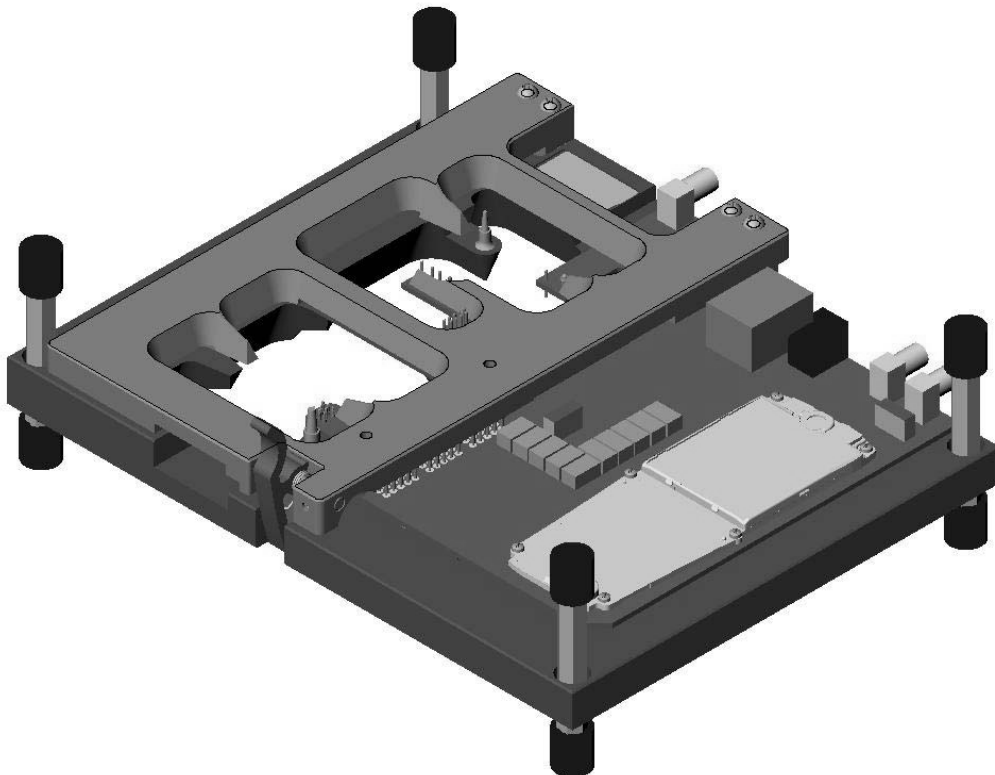
Module Testg Jig MJS-38 is designed for regional Central Services for TB3 module testing. It can be used for flashing and RF-, battery-, system-, radio- and SIM reader testing.

Product Code

MJS-38 Module Test Jig:

0770416

View of MJS-38



Note: The nominal supply voltage for MJS-38 is +4.2 V.

The supply voltage must not exceed +5.0 V (min 3V).

(MJS-38 includes overvoltage, overcurrent and reversed polarity protection).

For flashing with FPS-8, it is possible to bypass the regulator

(jumper).

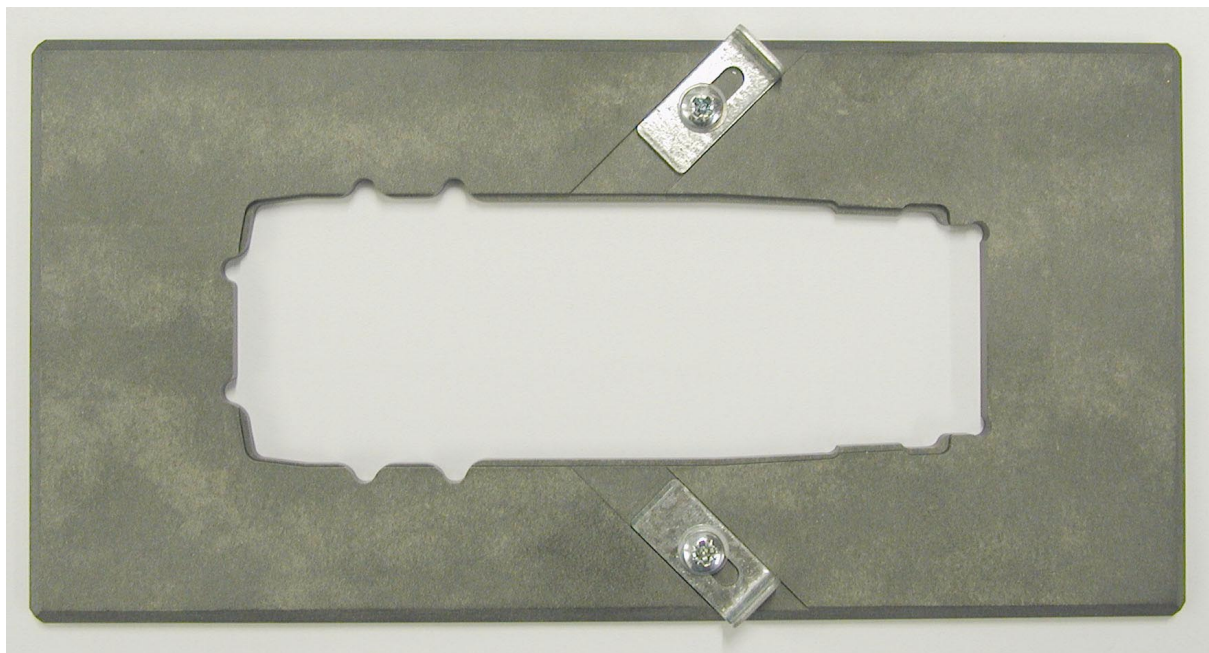
MJS-90 Soldering Jig

MJS-90 Soldering Jig is used for soldering and as a rework jig for TB3 module.

Product Code

MJS-90 Module Jig: 0770493

View of MJS-90



SRT-10 Camera Removal Tool

SRT-10 is used for disassembly and assembly of the camera.

Product Code

SRT-10 Camera Removal Tool:

0770556

View of SRT10



SES-3 Rework Stencil 0770558

Rework Stencil is used for PA Chip N700 (LGA type component) rework.

It is used together with Rework Jig MJS-76 and SPS-1 Soldering Paste Spreader.

The tools needed for rework include:

MJS-76 Rework Jig: 0770417

SES-3 Stencil: 0770558

SPS-1 Soldering Paste Spreader: 0770381

FPS-8 Flash Prommer (Sales Pack)

The Flash Prommer FPS-8 is used with e.g. MJF-13 and JVB-1. Power is supplied to FPS-8 from the Universal Power Supply.

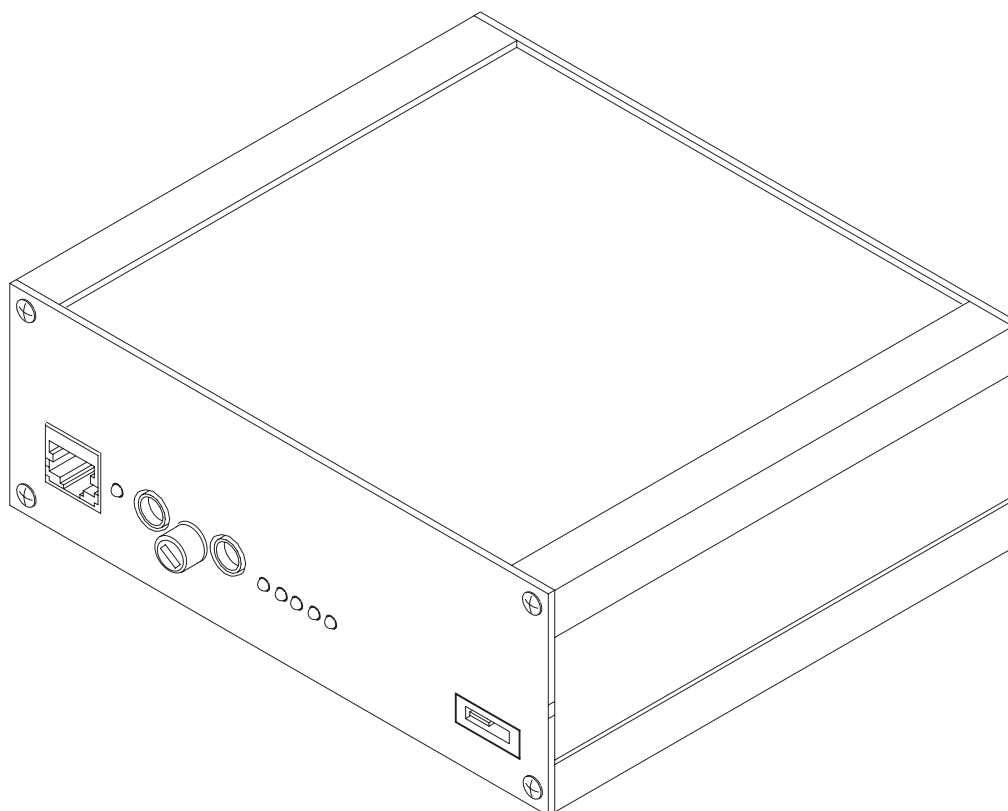
The sales pack includes:

- FPS-8 Flash Prommer 0750123
- FPS-8 Activation Sheet 9359289
- Universal Power Supply 0680032
- AXS-4 Service Cable (D9-D9)0730090
- Printer cable 0730029

Sales package code

FPS-8 Flash Prommer: 0080321

View of FPS-8



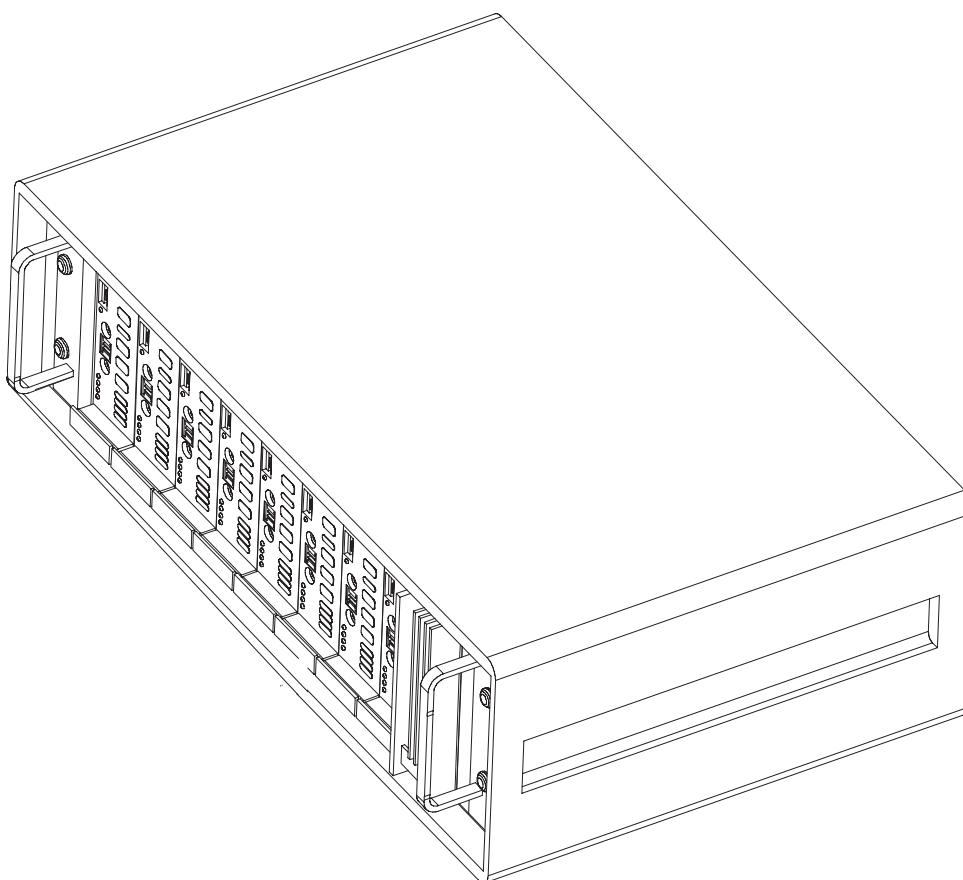
FPS-8C Parallel Flash Prommer (Sales Pack)

The Parallel Flash Prommer FPS-8C is used with MJF-13 and JVB-1. Flash programming can be done to maximum of 8 phones parallel. FPS-8C consists of eight SF11C programming cards. SF11C card is functionally identical to FPS-8.

Sales package code

FPS-8C Parallel Flash Prommer: 0080396

View of FPS-8C



ACF-8 Universal Power Supply

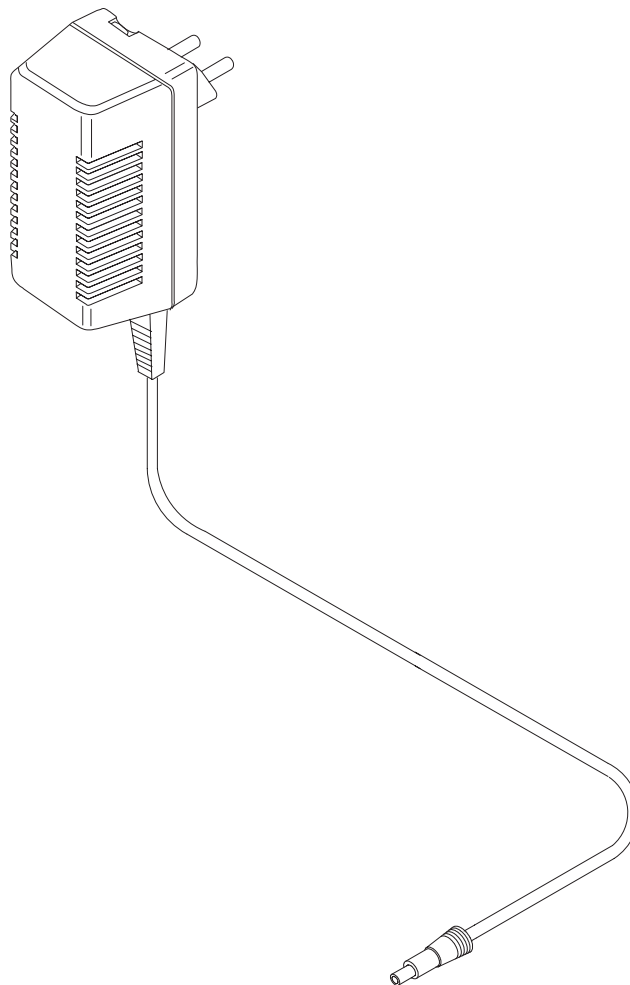
ACF-8 Universal Power Supply is used to power FPS-8. ACF-8 has 6 V DC and 2.1 A output.

Product Code

ACF-8 Universal Power Supply:

0680032

View of ACF-8



FLA-27 POS (Point Of Sale) Flash Loading Adapter

FLA-27 POS Flash Loading Adapter is used in place of the phone's normal battery during service, to supply a controlled operating voltage.

Product Code

FLA-27 POS Flash Loading Adapter: 0770492

View of FLA-27



FLC-2 DC Cable

The FLC-2 is used to supply a controlled operating voltage.

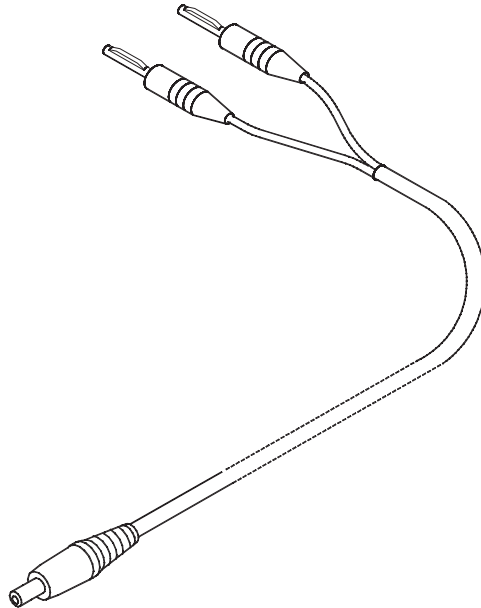
Product Code

FLC-2 DC Cable:

0730185

View of FLC-2

-



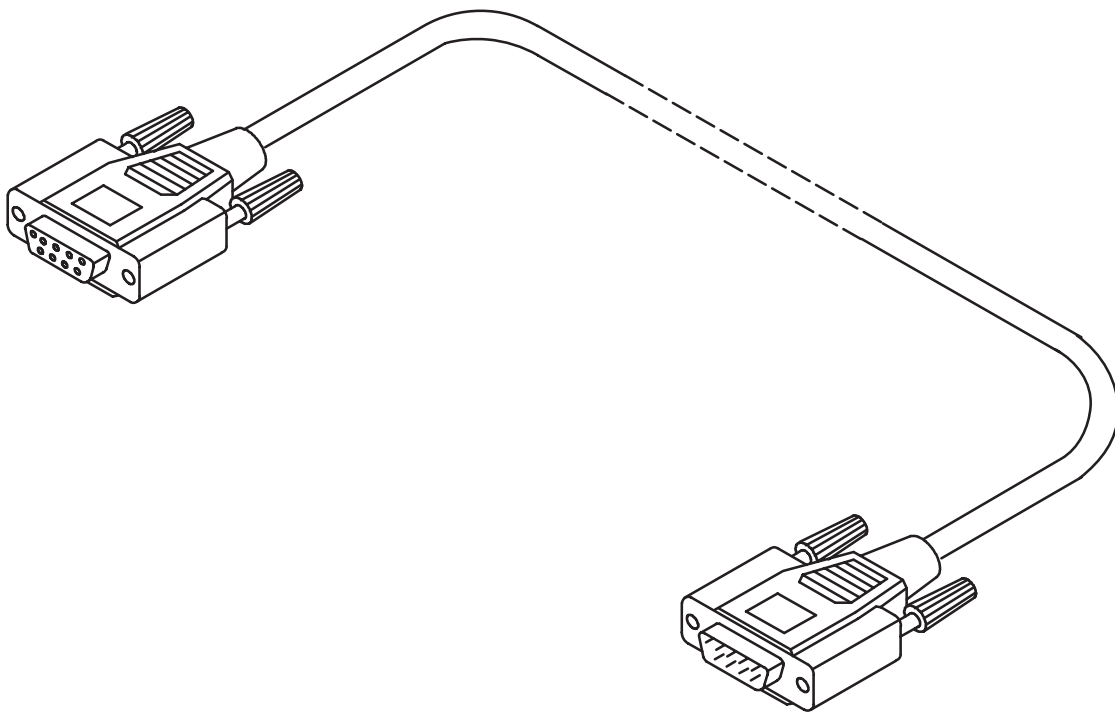
AXS-4 Service Cable

The AXS-4 D9-D9 Service Cable is used to connect two 9 pin D connectors e.g. between PC and FPS-8. Cable length is 2 meters.

Product code

AXS-4 D9-D9 Service Cable: 0730090

View of AXS-4



XCS-1 Service Cable

The XCS-1 Service Cable is used to connect FLS-4 to FLA-27.

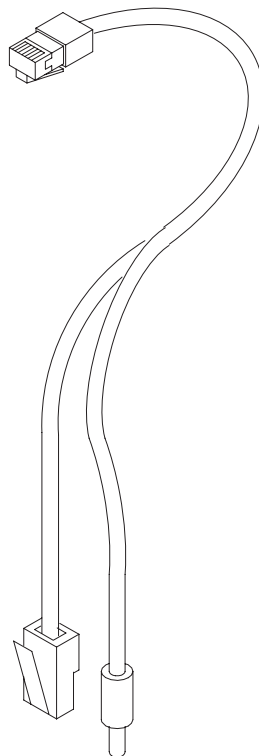
Product code

XCS-1 Service Cable:

0730218

View of XCS-1

-1



SW Security Device PKD-1

SW security device is a piece of hardware enabling the use of the service software when connected to the parallel (LPT) port of the PC. Without the dongle present it is not possible to use the service software. Printer or any such device can be connected to the PC through the dongle if need ed.

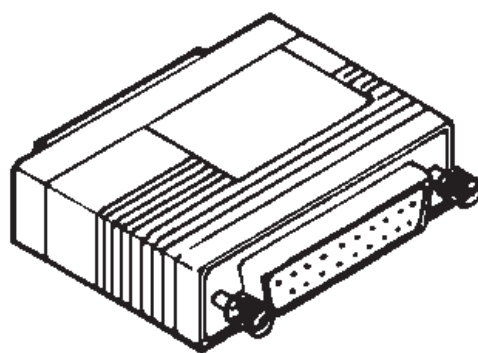
Caution: Make sure that you have switched off the PC and the printer before making connections!

Caution: Do not connected the PKD-1 to the serial port. You may dam age your PKD-1!

Product Code

SW Security Device PKD-1: 0750018

View of SW Security Device



G0750018

FLS-4S POS (Point Of Sale) Flash Device (Sales Pack)

FLS-4S is a dongle and flash device incorporated into one package, developed specifically for POS use.

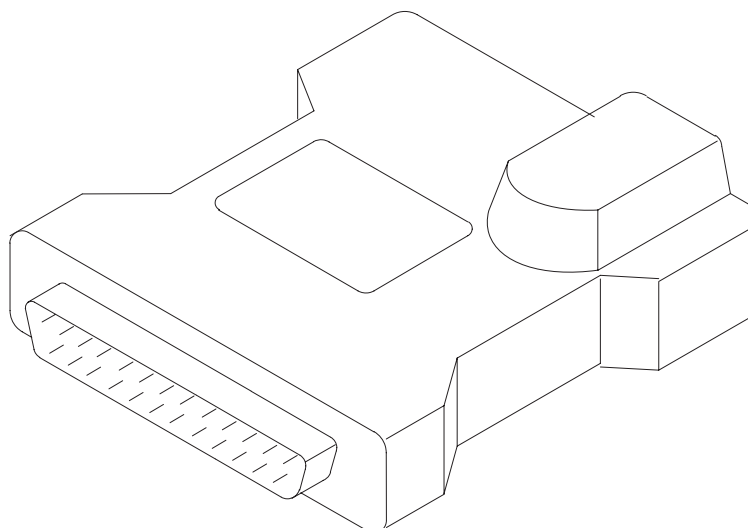
Product Code

Sales Pack - Europe/Africa 0080541

Sales Pack - APAC 0080542

Sales Pack- US 0080543

View of FLS-4S



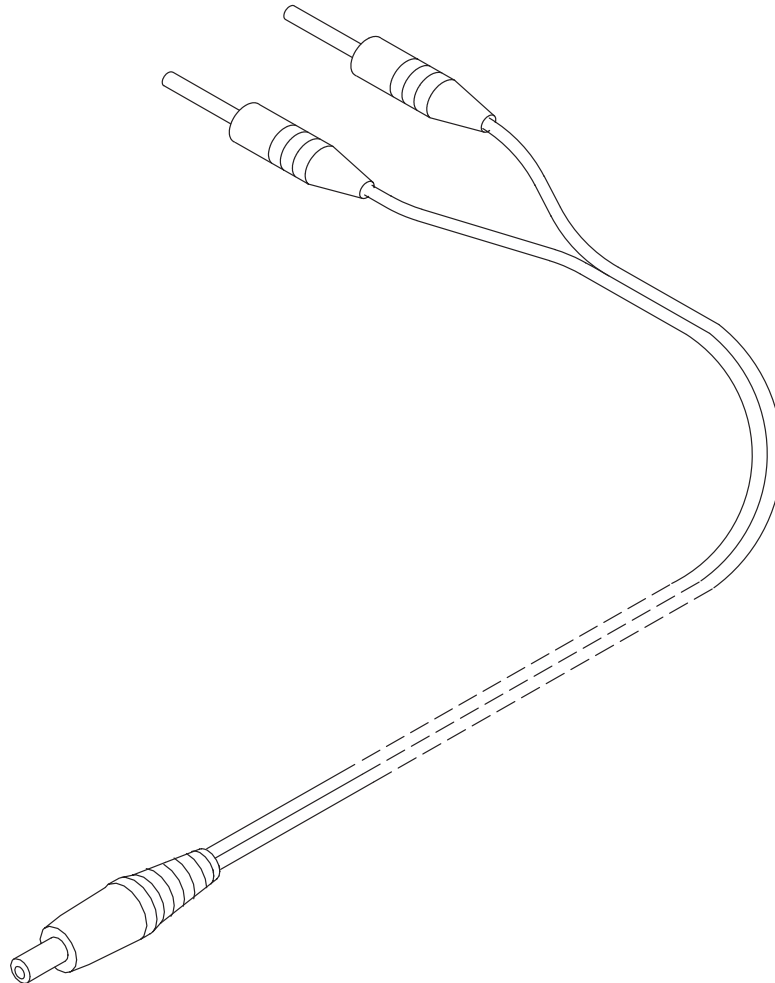
PCS-1 Power Cable

The PCS-1 Power Cable (DC) is used to connect e.g. JVB-1 to FPS-8.

Product Code

PCS-1 Power Cable: 0730012

View of PCS-1



XRF-1 RF Cable

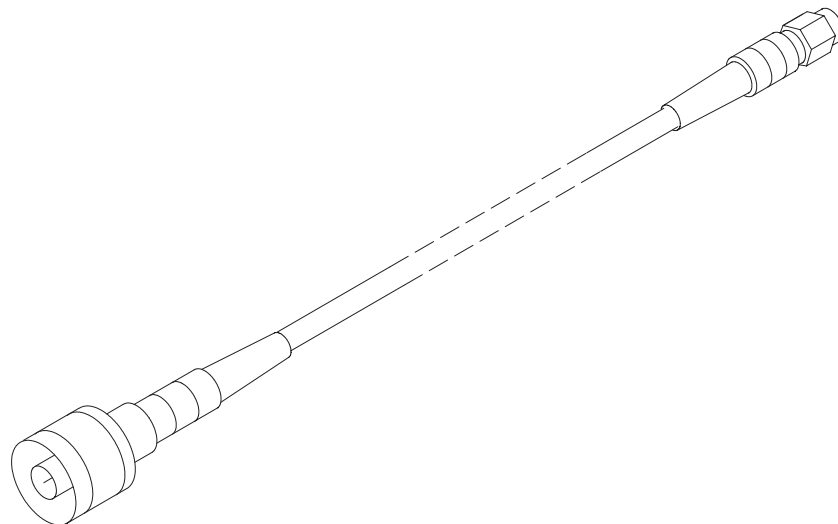
RF cable XRF-1 is used to connect e.g. Module Jig MJS-38 to RF measurement equipment..

Product code

XRF-1 RF Cable:

0730085

View of XRF-1



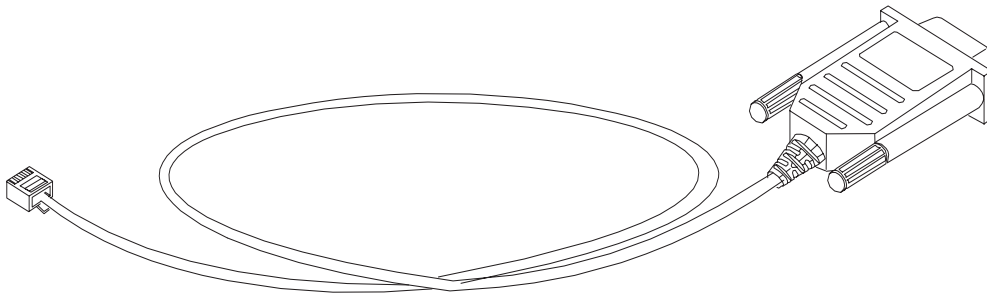
DAU-9S MBUS Cable

The MBUS Cable DAU-9S has a modular connector, and is used with between PC's serial port and e.g. Module Jig MJS-38.

Product Code

DAU-9S MBUS Cable: 0730108

View of DAU-9S



CA-5S DC Cable

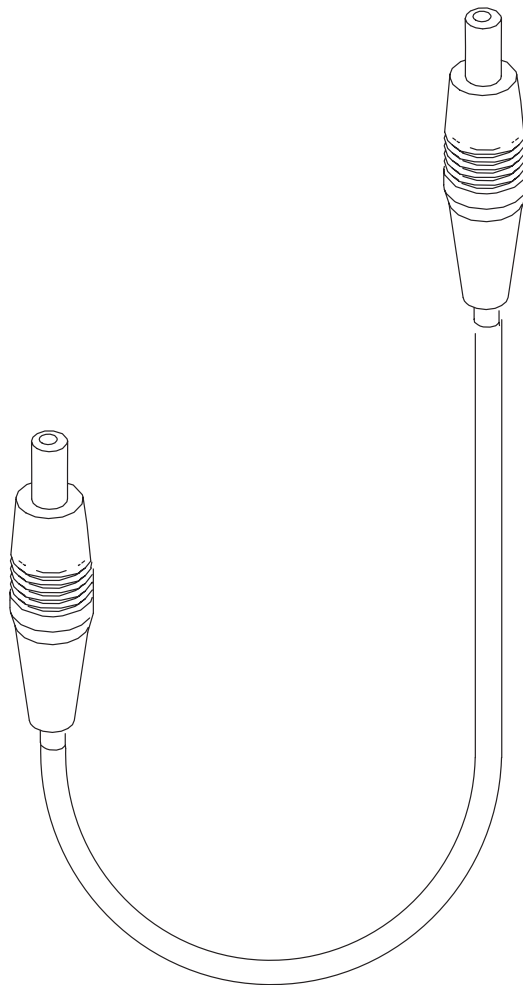
The DC Cable CA-5S is used to connect e.g. JVB-1 to the phone.

Product Code

CA-5S DC Cable: 0730283

View of CA-5S

-3



XCS-4 Modular Cable

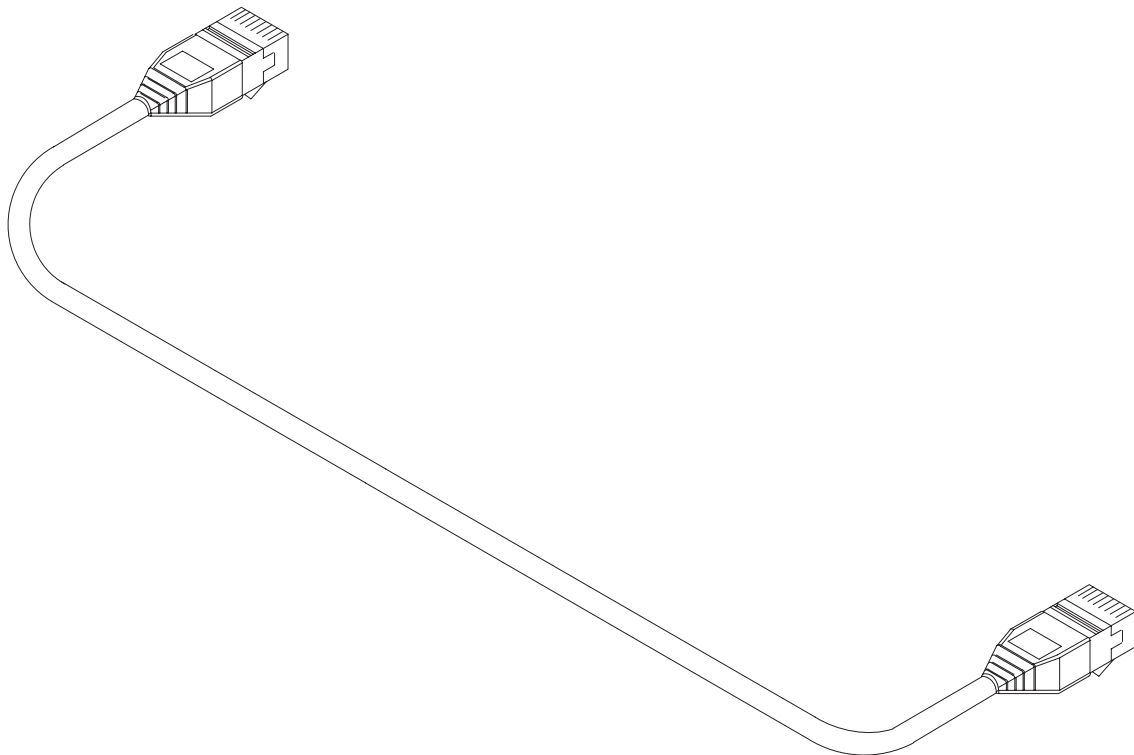
XCS-4 is a shielded cable (one specially shielded conductor) modular cable for flashing and service purposes.

Product code

XCS-4 Modular Cable:

0730178

View of XCS-4



Printer Cable

This cable is used to connect the PC to FPS-8.

Product code

Printer Cable:

0730029

View of Printer Cable

